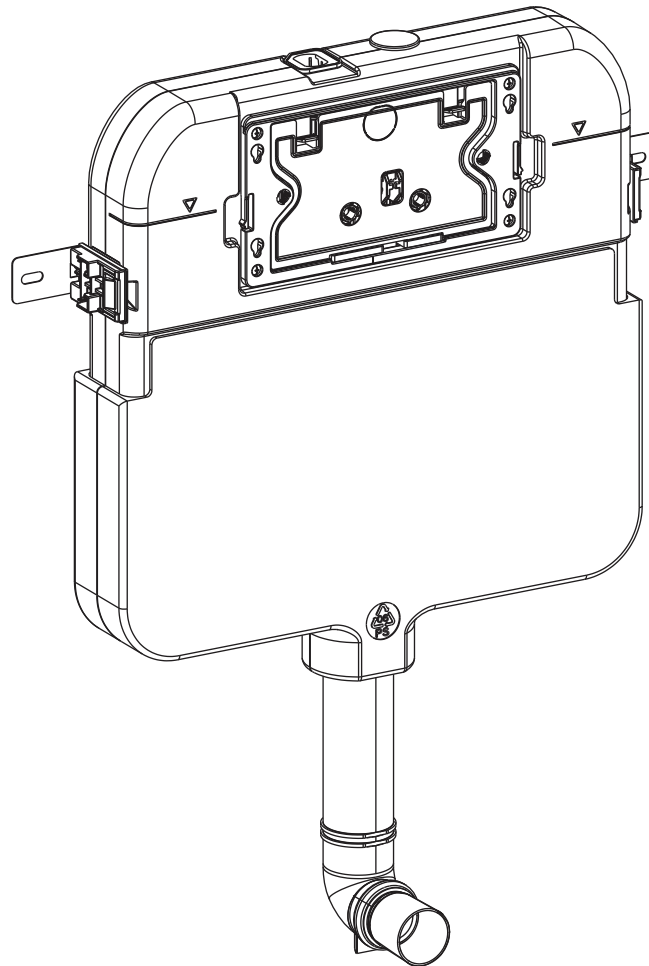


Back-to-Wall Carrier System INSTALLATION INSTRUCTIONS

Swiss Madison®
well made forever

Residential Concealed In-Wall Toilet Tank for Back-to-Wall Toilet SM-WC324



@SwissMadison
#WellMadeForever





PRIOR TO INSTALLATION:

- Inspect carrier to ensure no damages have occurred while in shipping.
- Observe all plumbing and building codes in accordance with your state and local requirements.
- All dimensions are nominal! Be sure to measure your toilet prior to installation.
- The step-by-step guidelines in the installation instructions are a general reference. Should there be any discrepancies, Swiss Madison cannot be held liable. It is recommended to install all Swiss Madison products by hiring a licensed professional.
- Read installation and maintenance instructions thoroughly before installing. Be sure to use proper tools and always wear proper personal safety accessories for your protection.
- Be sure to properly bleed all air from the piping system, trapped air can cause damage to the flushing system and toilet bowl.
- Avoid outside wall installations to avoid possible freezing.

If you have any questions or concerns please contact us:

1-434-623-4766

info@swissmadison.com

SUGGESTED TOOLS & MATERIALS:



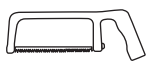
Safety Glasses



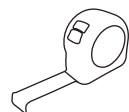
Plumbers Grease



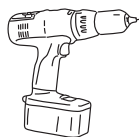
Wrench



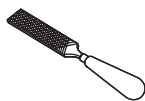
Hacksaw



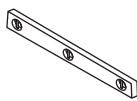
Tape Measure



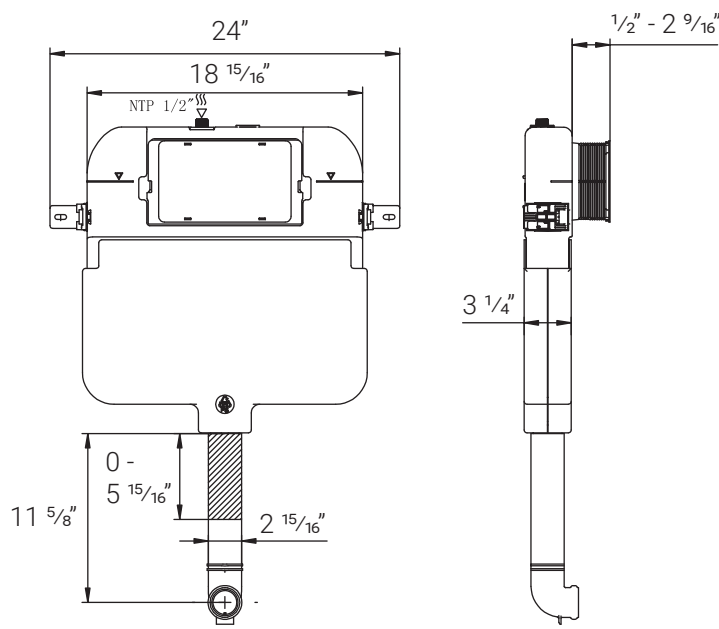
Drill



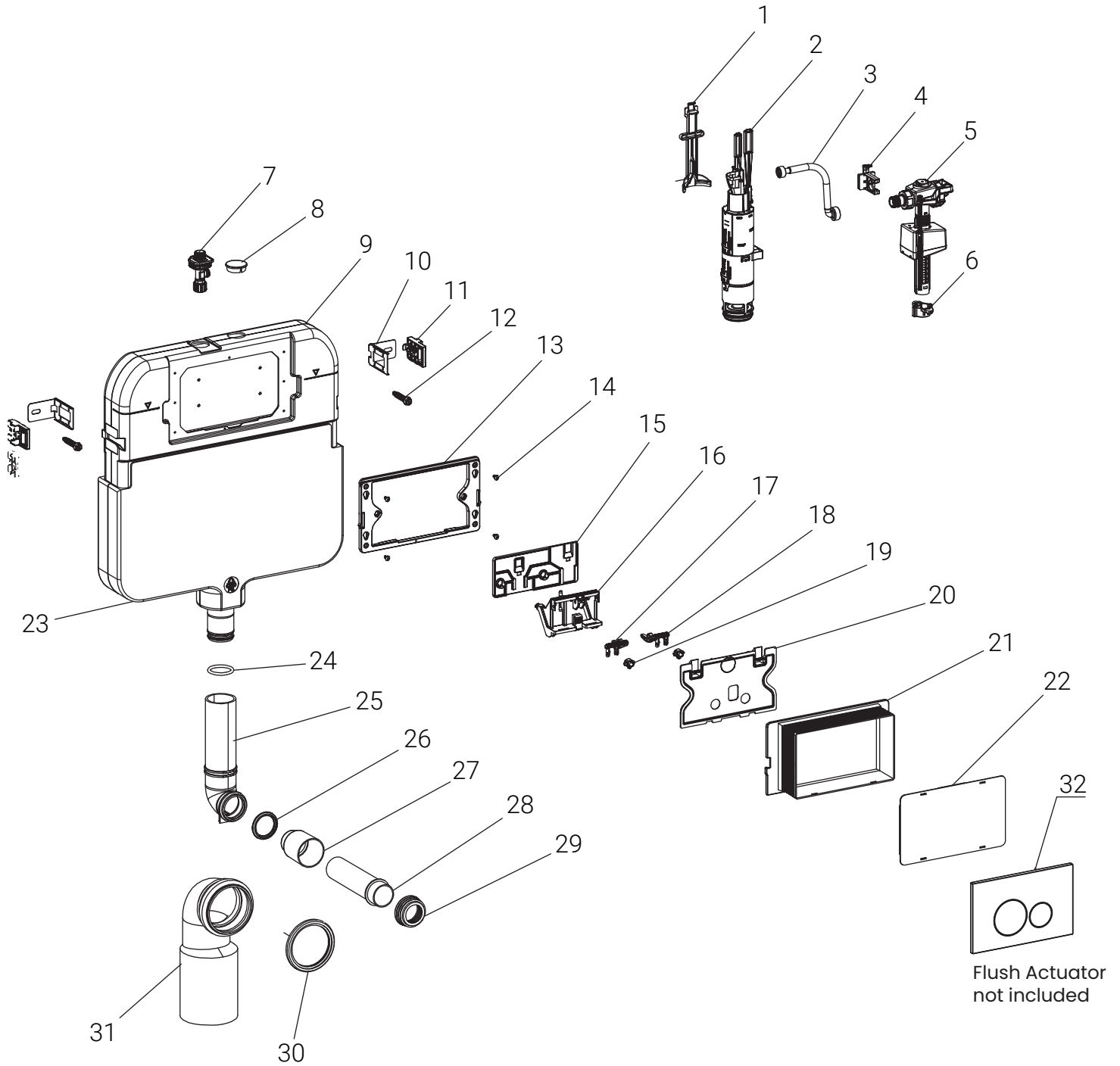
Flat File



Level



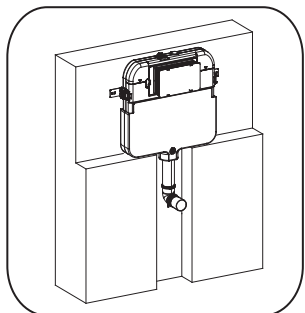
Parts for Reference:



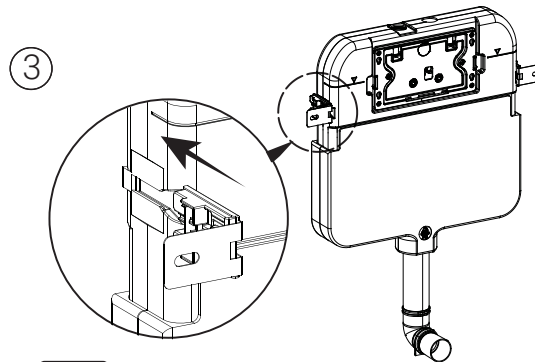
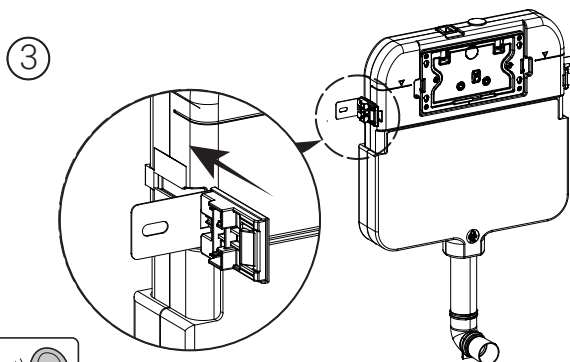
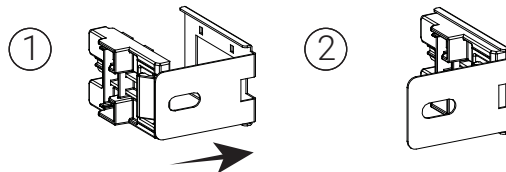
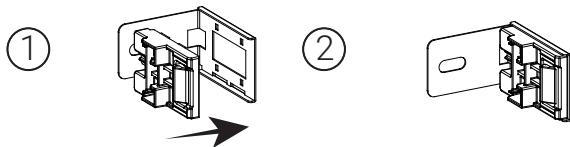
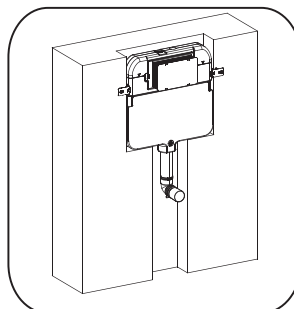
1. Fasten Mounts (if fastening to studs)

- Adjust clips then fasten carrier to studs or wall framing.
- Ensure frame is flush and level before fastening.

1a.



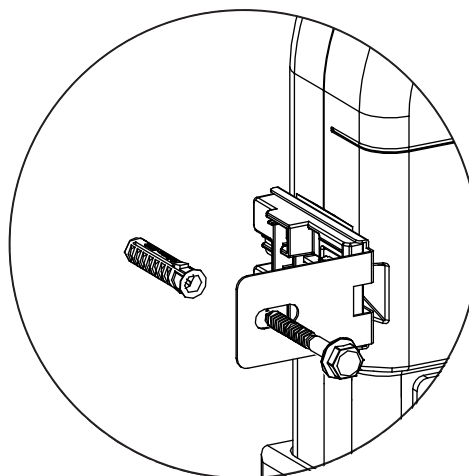
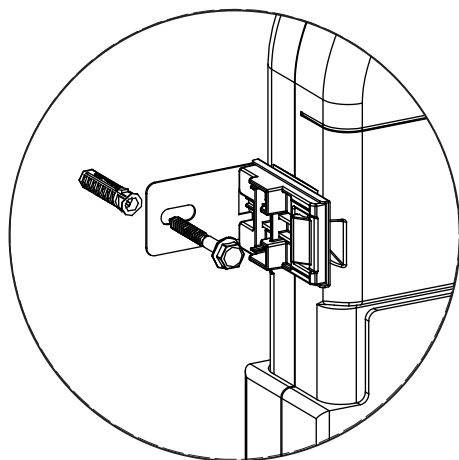
1b.



Click

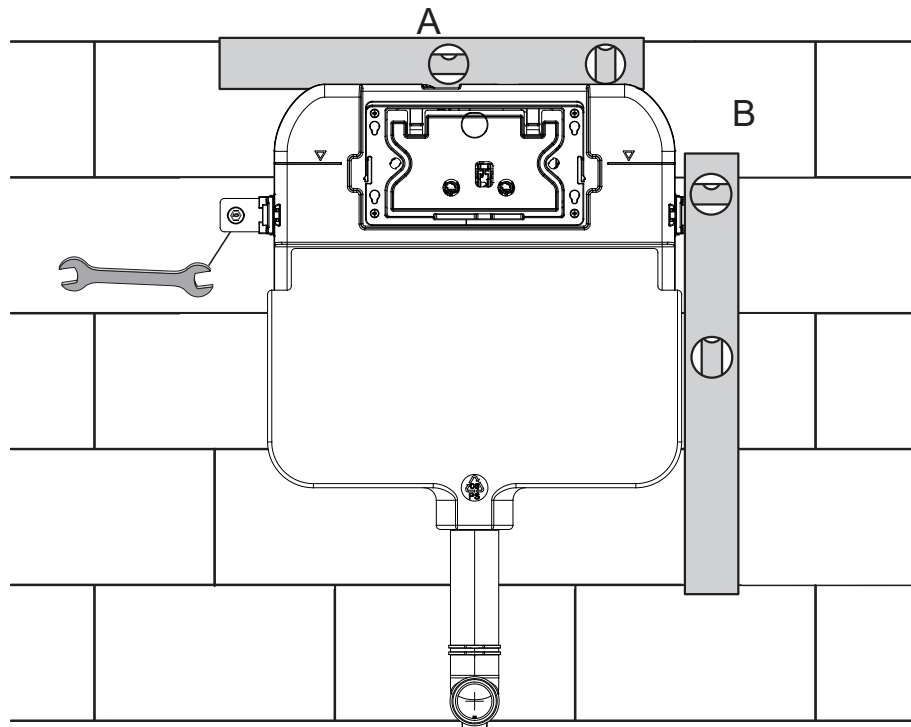
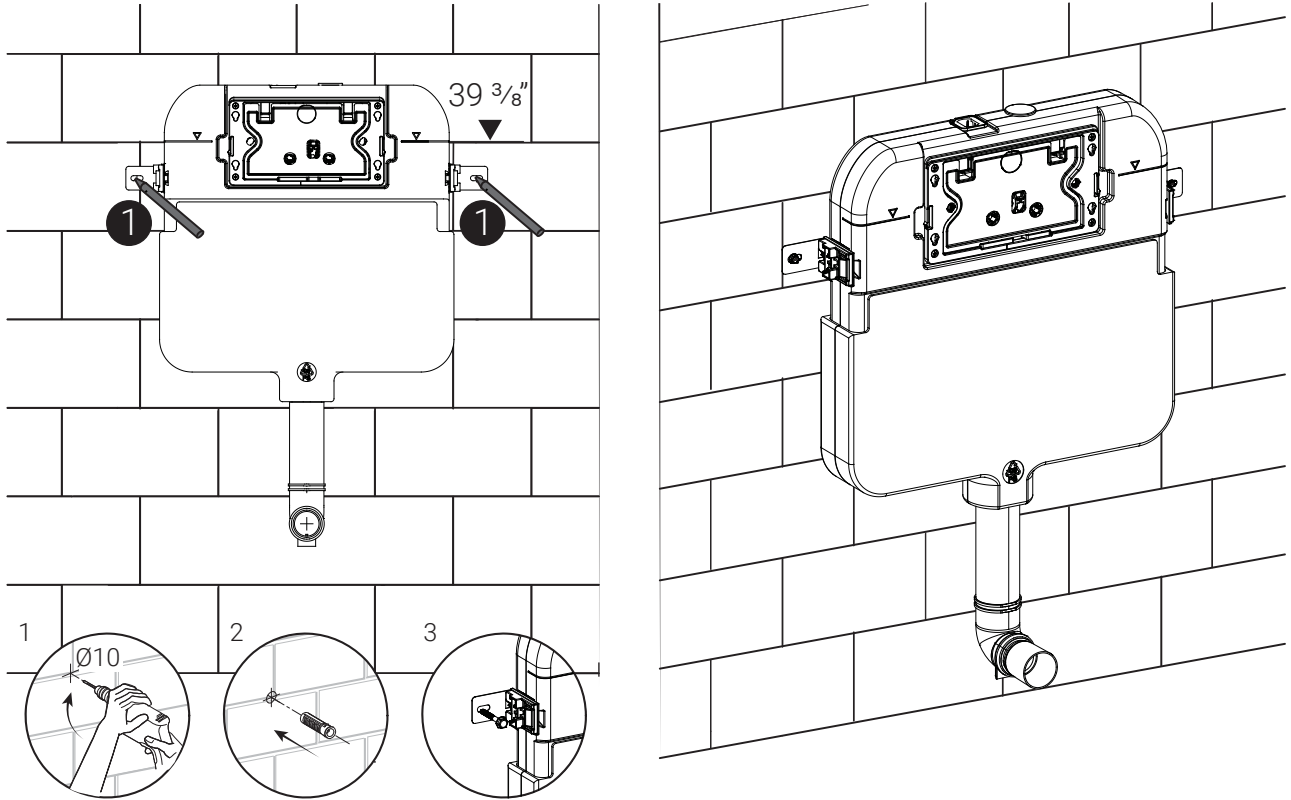


"Click"



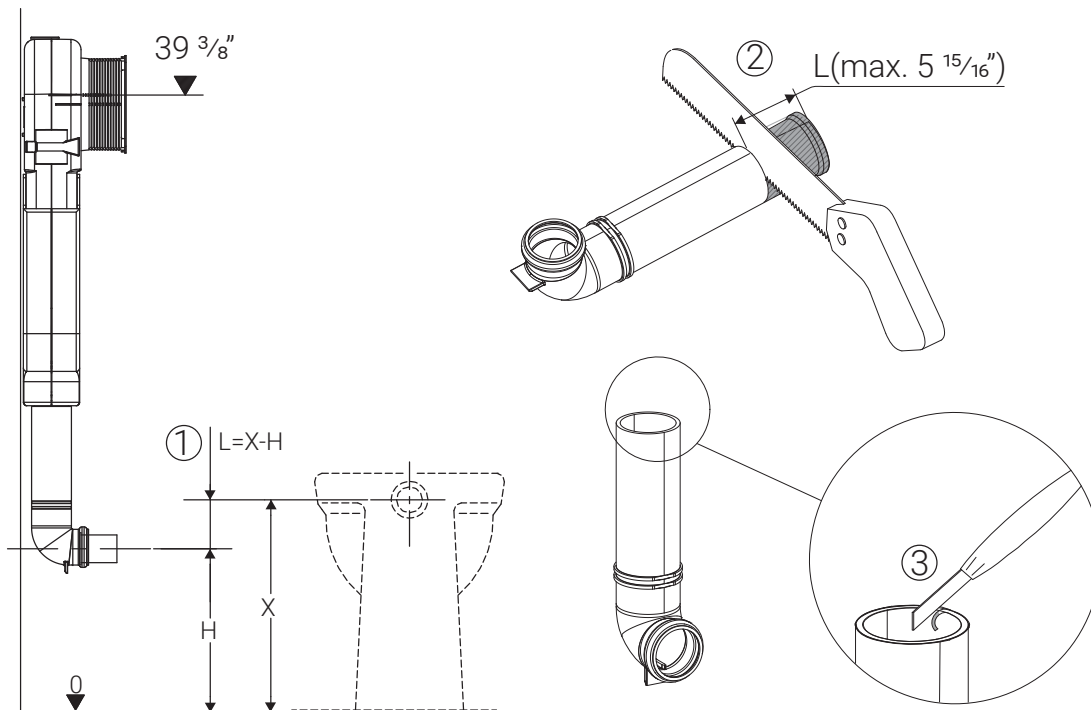
1. Fasten Mounts (if fastening to wall)

- Adjust clips then fasten carrier to studs or wall framing.
- Ensure frame is flush and level before fastening.



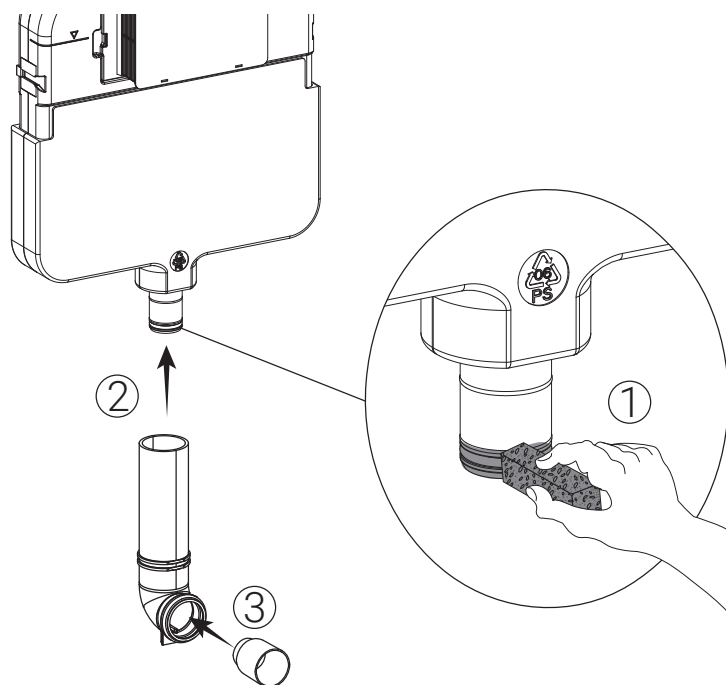
2. Cut Pipe

- Measure and cut pipe according to your toilet.
- Make sure to measure the sub floor and finished floor measurements before cutting to have the correct center.
- Once pipe is cut, remove any burrs.



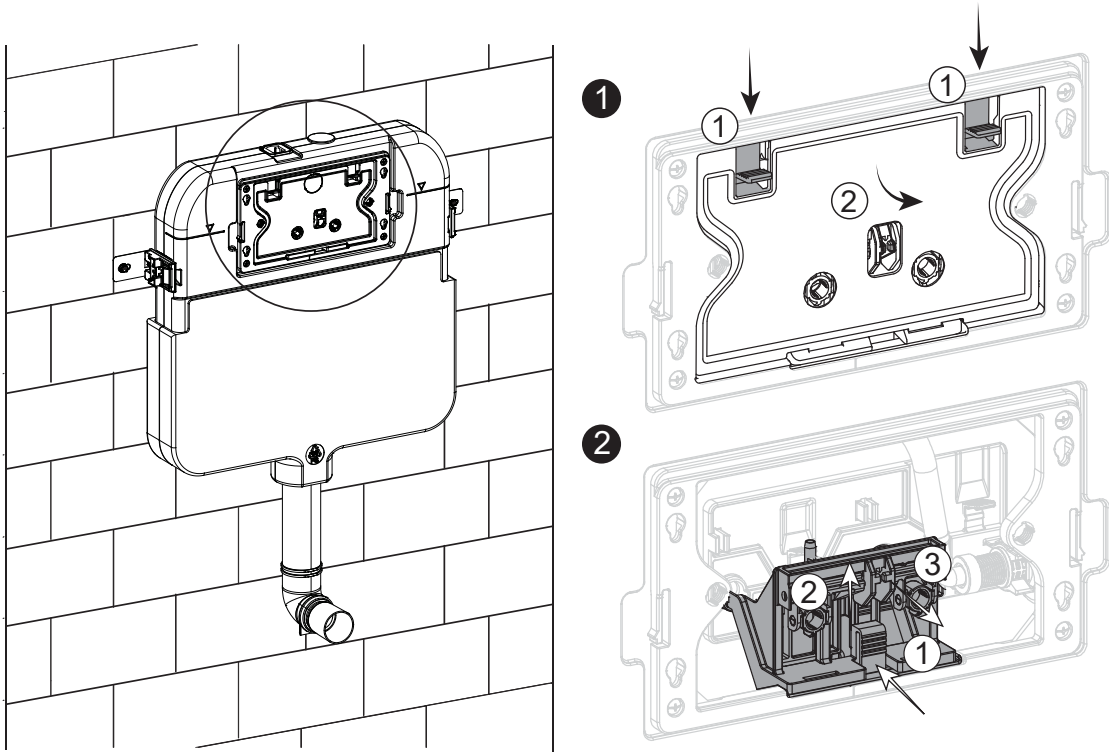
3. Attach Pipe

- Apply grease before sliding on pipe.
- Install pipe then put on dust cap to prevent debris from entering the pipe.



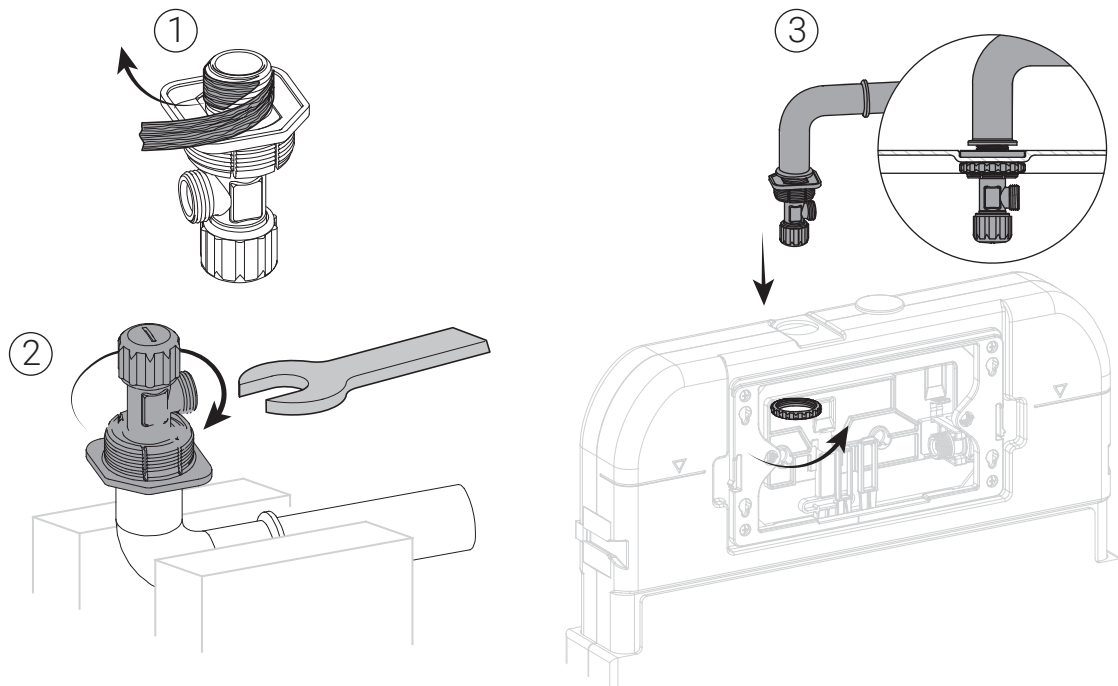
4. Remove Plate

- Remove plate and attach to water connection.



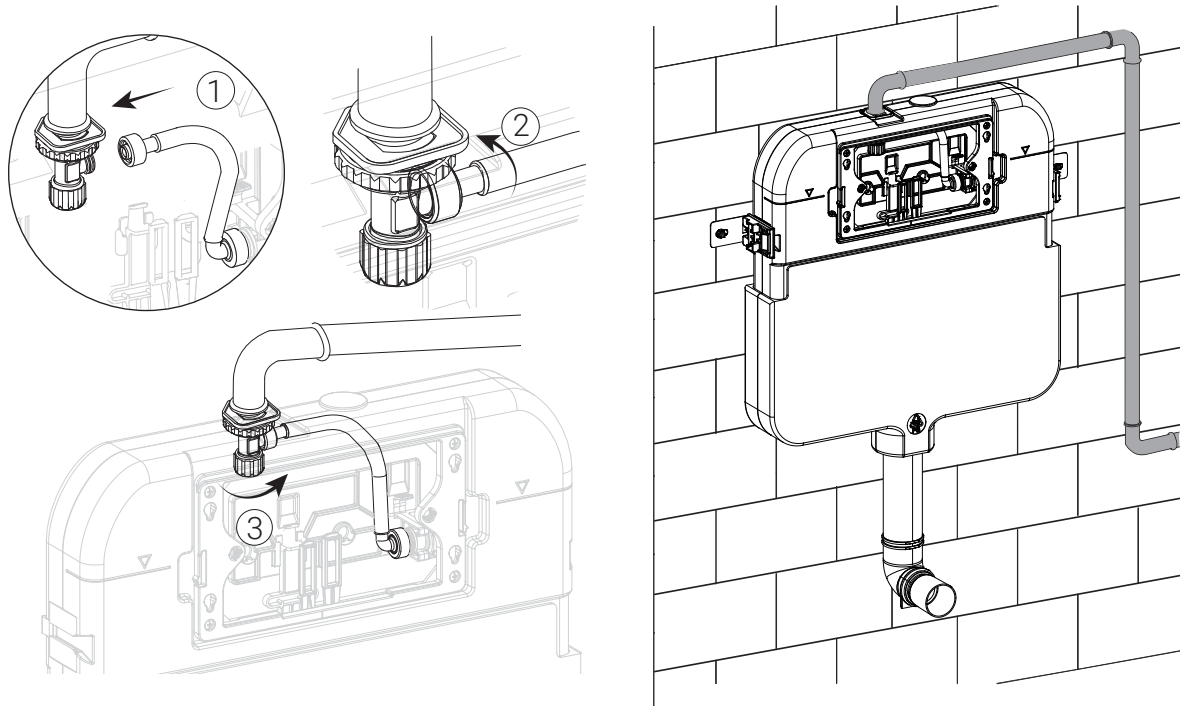
5. Attach Water Connection

- Hold the shut-off valve stationary while tightening water connection.
- Install locking nut as shown.



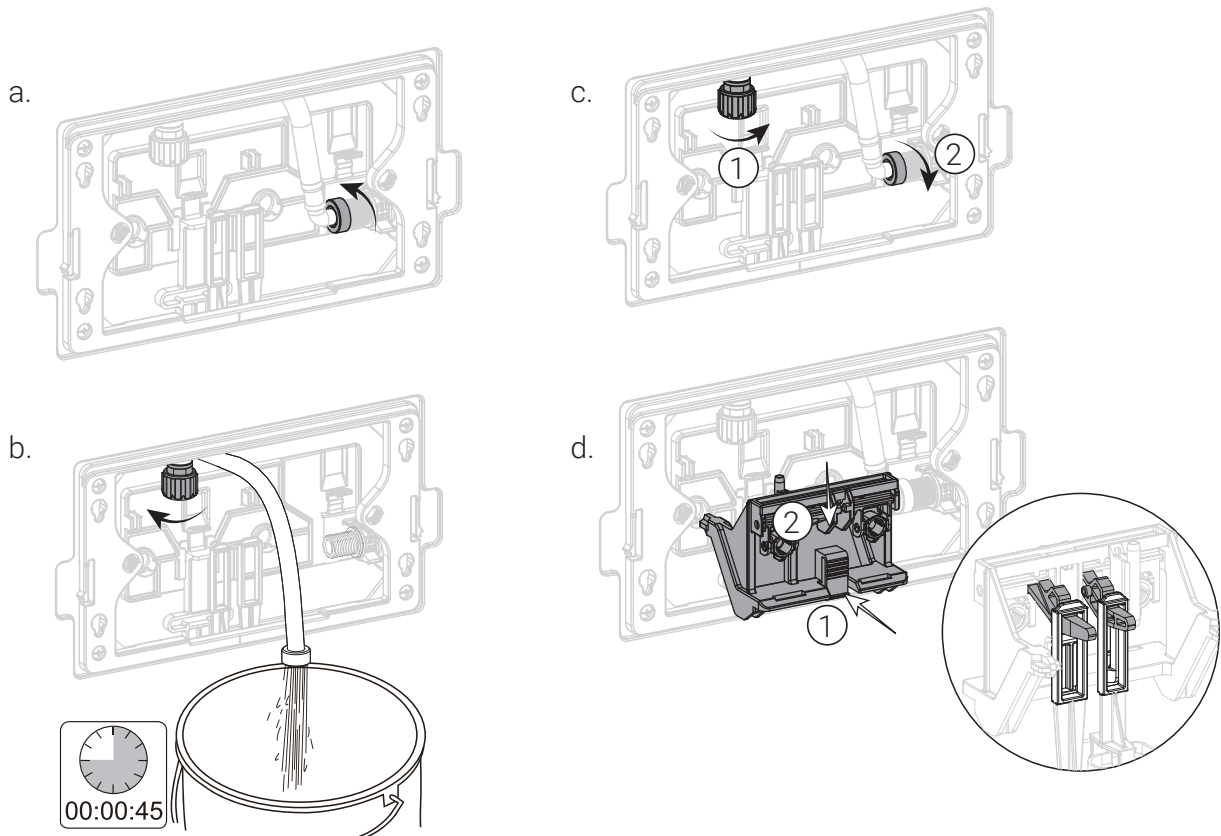
6. Flush Debris

- After attaching water connection to shut-off valve, undo the other side of the hose.
- Turn on valve to flush any debris before installing the actuator.



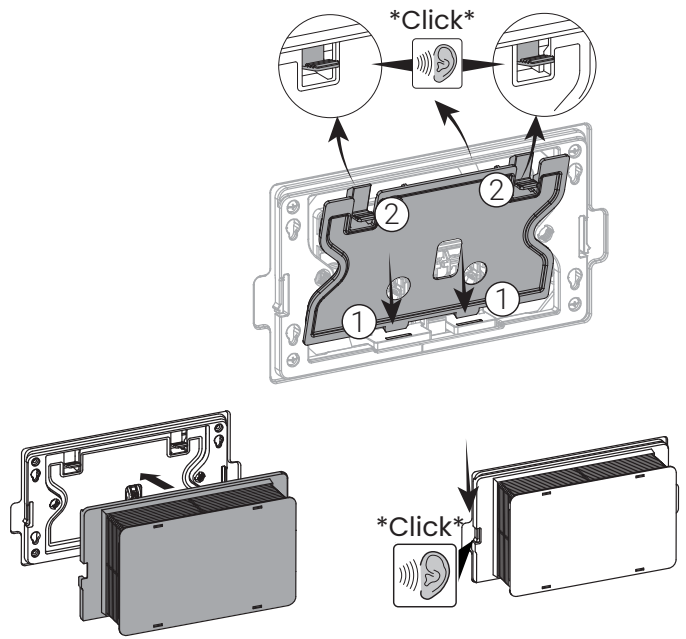
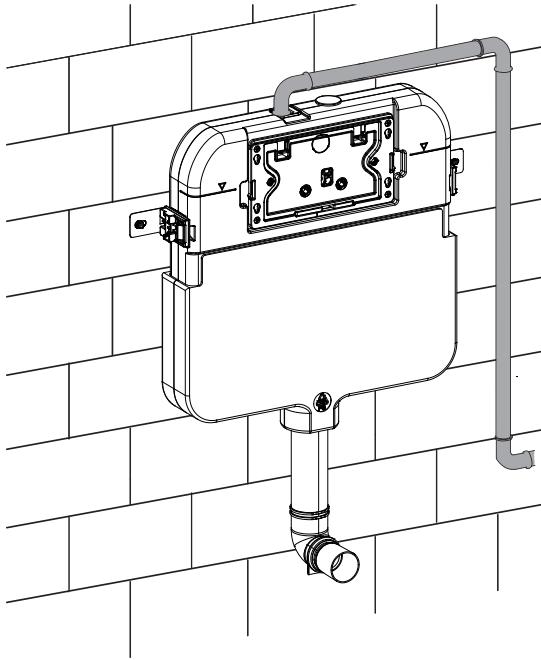
7. Reconnect Water Supply

- After flushing debris, reconnect the water supply hose.



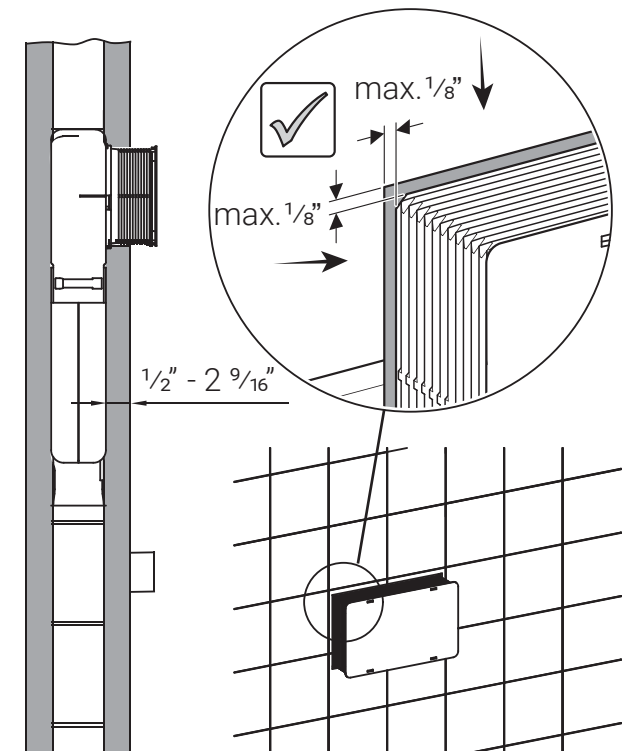
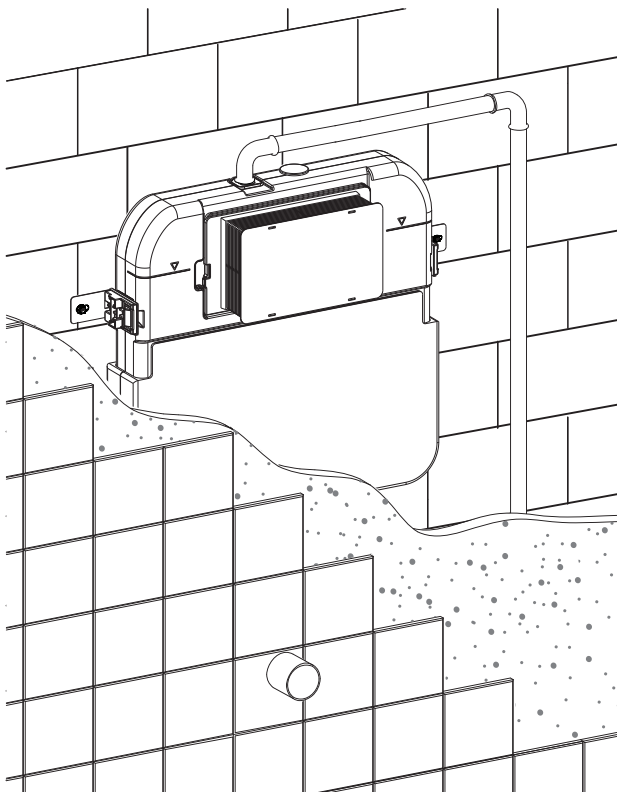
8. Reinstall Plate

- Reinstall actuator and cover plate.
- Ensure roughing box is secure to keep debris from entering the tank.



9. Trim Roughing Box

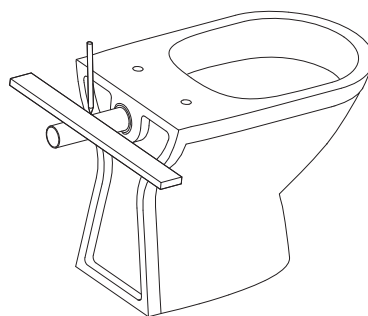
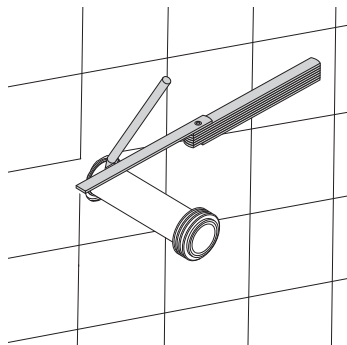
- After wall materials are installed, trim roughing box.



Toilet Installation

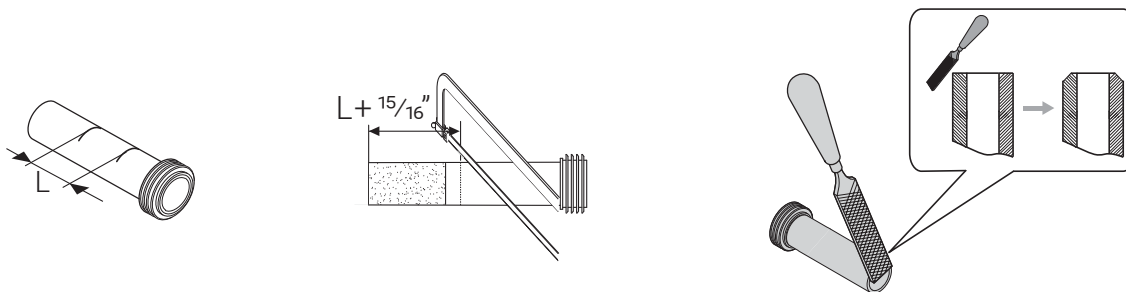
1. Fit Pipe

- Install pipe and make sure it is thoroughly inserted.
- With a ruler, mark a line on the pipe where it meets the finished wall.
- Remove from wall and install pipe in the back of the toilet and make sure it is thoroughly inserted.
- With a ruler, mark a line on the pipe where it meets the back of the bowl.



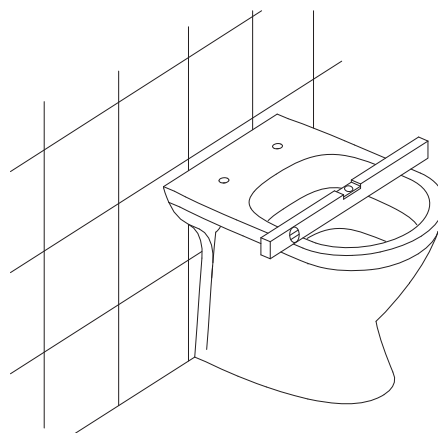
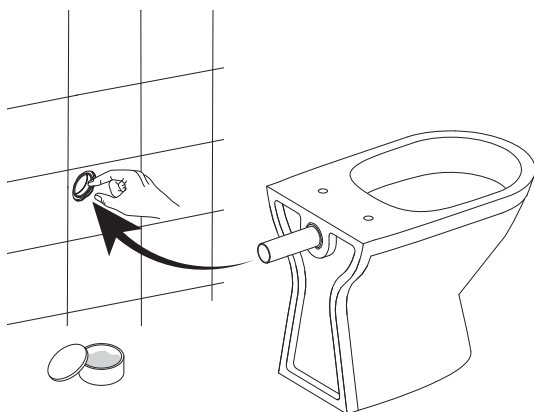
2. Cut Pipe

- Measure the distance between both marked lines on pipe. Take measured distance, deduct from bald end of pipe and cut pipes as shown below. This will allow some tolerance to recut if necessary.
- After cutting, take a file and remove all burrs. Try and bevel pipe edge.



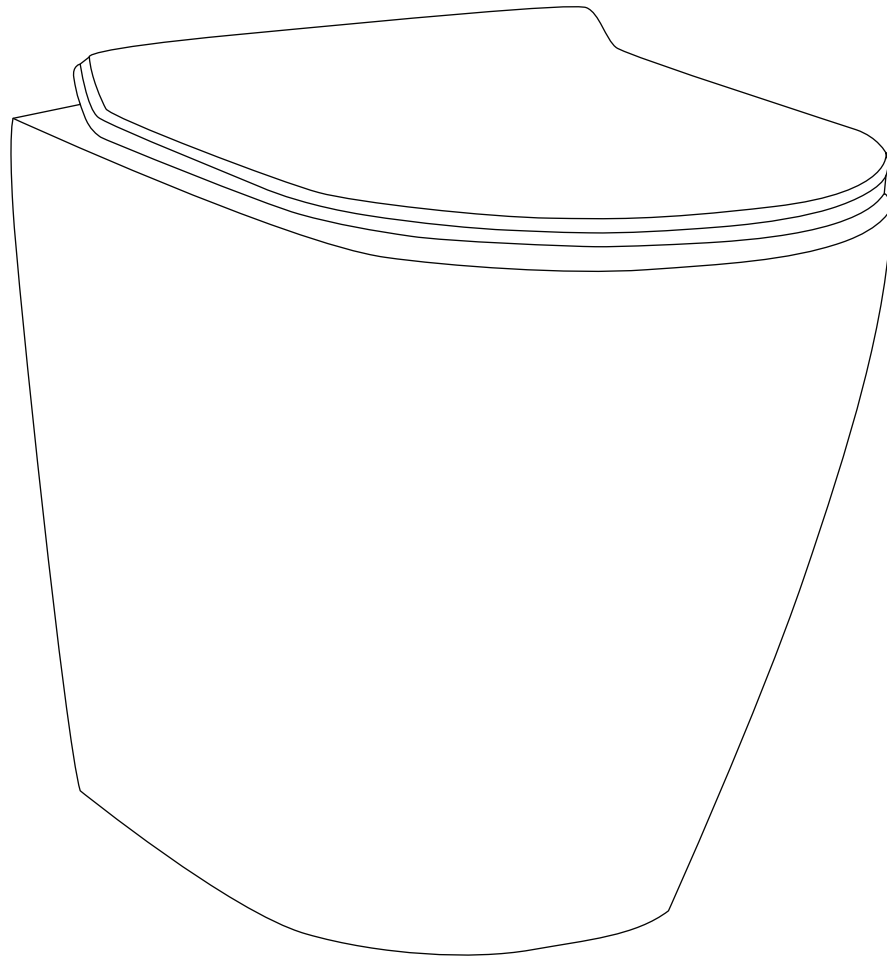
3. Install Toilet

- Insert pipe into bowl first, remember to apply grease where necessary.
- Install pipe into wall, make sure toilet is level.



Back-to-Wall Toilet INSTALLATION INSTRUCTIONS

Swiss Madison[®]
well made forever



@SwissMadison
#WellMadeForever





PRIOR TO INSTALLATION:

- Inspect toilet to ensure no damages have occurred while in shipping.
- Observe all plumbing and building codes in accordance with your state and local requirements.
- All dimensions are nominal! Be sure to measure your toilet prior to installation.
- The step-by-step guidelines in the installation instructions are a general reference. Should there be any discrepancies, Swiss Madison cannot be held liable. It is recommended to install all Swiss Madison products by hiring a licensed professional.
- Read installation and maintenance instructions thoroughly before installing. Be sure to use proper tools and always wear proper personal safety accessories for your protection.
- Two people are recommended to handle and install this product as it is fragile.

If you have any questions or concerns please contact us:

1-434-623-4766

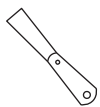
info@swissmadison.com

SUGGESTED TOOLS & MATERIALS:

INCLUDED PARTS:



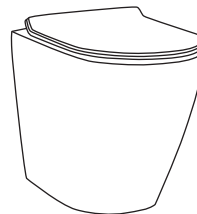
Safety Glasses



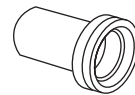
Putty Knife



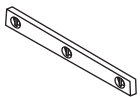
Wrench



Back-to-Wall Toilet



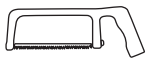
Outlet Pipe



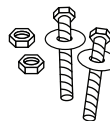
Level



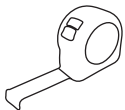
Flexible Supply Tube



Hacksaw



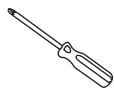
Bolts



Tape Measure



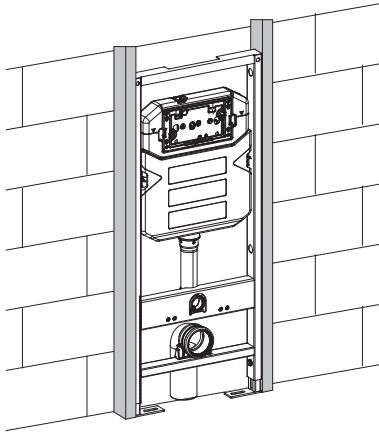
Sealant



Screwdriver

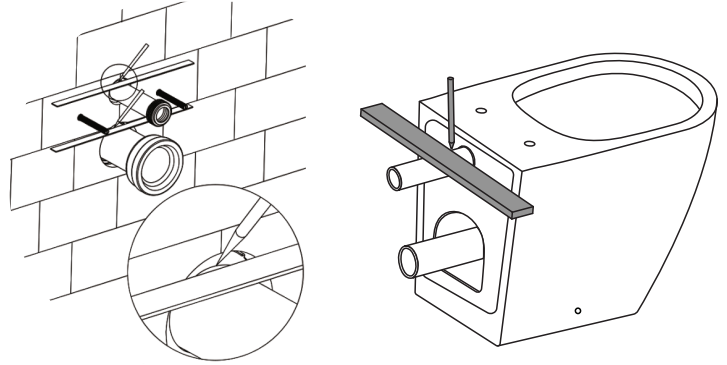
1. Install Tank Carrier System

- Before toilet bowl installation, a wood frame and commercial or residential tank system is required.
- Install according to manufacturer's instructions.



2. Dry Fit Outlet Pipe and Inlet Pipe

- Fully insert straight tube into cistern flushing outlet then connect pipe into discharge outlet.
- Remove pipes from the sanitary unit and insert them completely into the back of the bowl. Then mark pipes where they extend past the edges of the bowl.

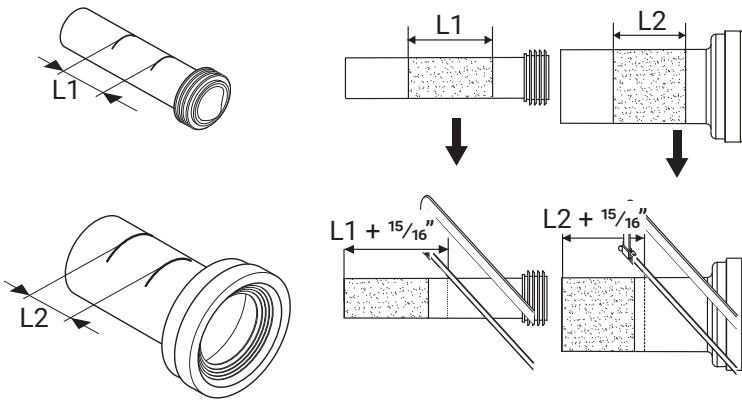


3. Cut Pipes

- Measure the distance between both marked lines on pipe. Take measured distance, deduct from bald end of pipe and cut pipes as shown below.
- After cutting, take a file and remove all burrs. Try and bevel pipe edge.

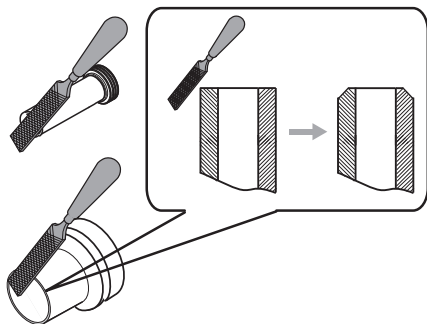
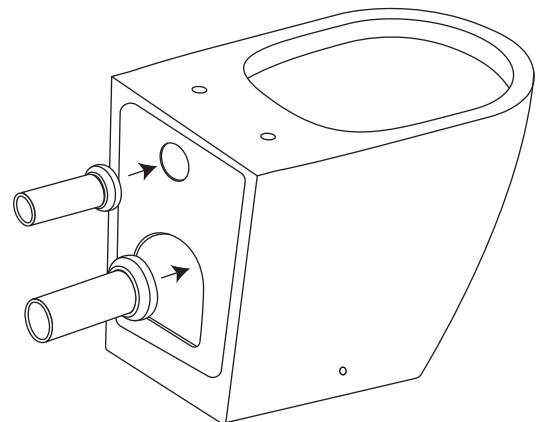
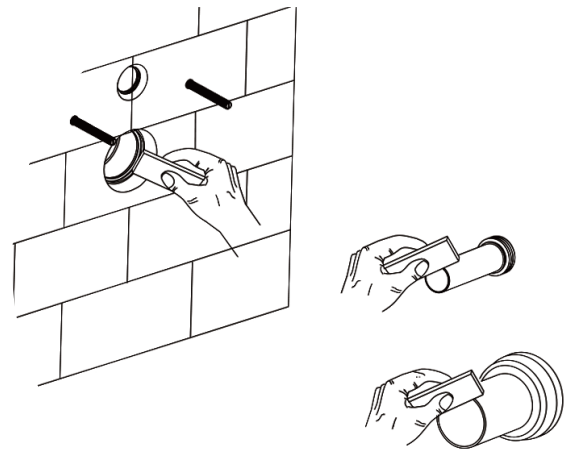
L1: The distance between the two lines on the straight tube.

L2: The distance between the two lines on the connecting pipe.



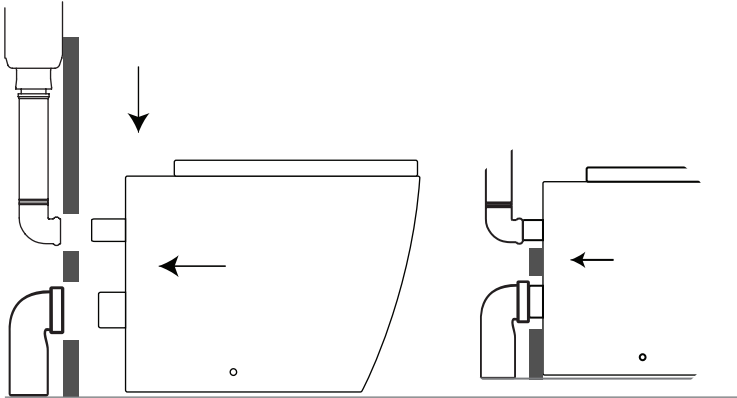
4. Connect Pipes

- Apply lubricant onto rubber washers of straight tube and connecting pipe.
- Place the toilet, making sure the pipes fit properly, and the toilet is making contact with the floor and wall surface.



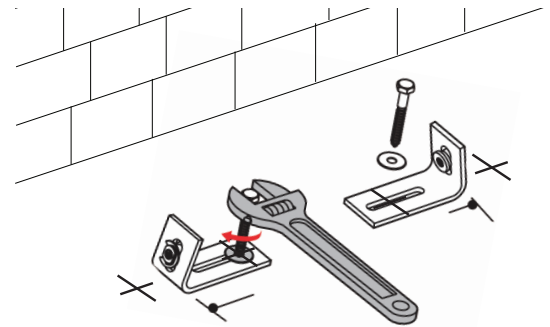
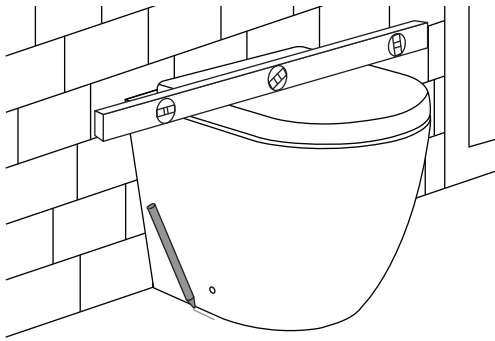
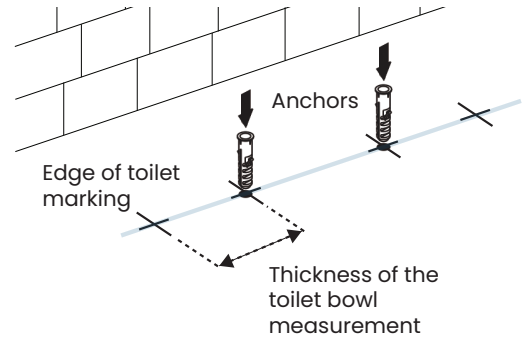
5. Fit and Level Bowl

- Place the bowl facing the flush pipe and waste pipe, then push firmly until it touches the wall to ensure that both pipes are in the correct position and the correct length.
- Make sure bowl is level then mark on both sides of the bowl where the anchors will be installed.



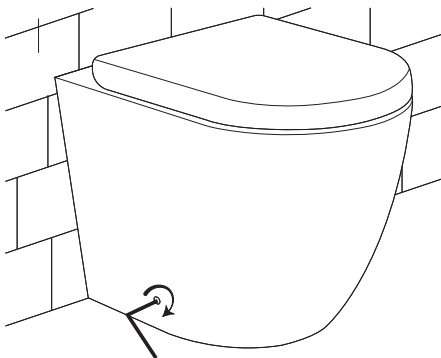
6. Install Anchors and Brackets

- Remove the toilet bowl and measure the thickness of the bowl. Then apply that measurement in towards the center from the marks on the floor.
- Insert anchors and install brackets.



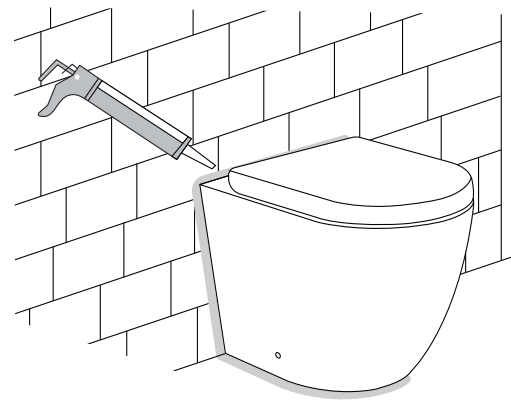
7. Install and Secure Toilet

- Make sure the pipes fit in properly and the toilet is making contact with the floor and the wall surface.
- Once the toilet is placed properly, tighten the bolts to secure the toilet.



8. Seal Edges

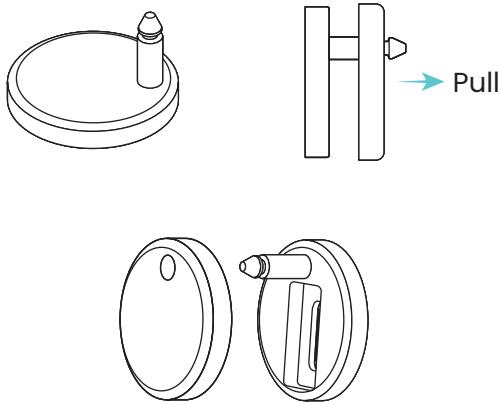
- Apply a thin layer of silicone sealant around the perimeter of the toilet bowl. The use of an anti-mold silicone is recommended. Remove any excess silicone with a paper towel.



TOILET SEAT INSTALLATION

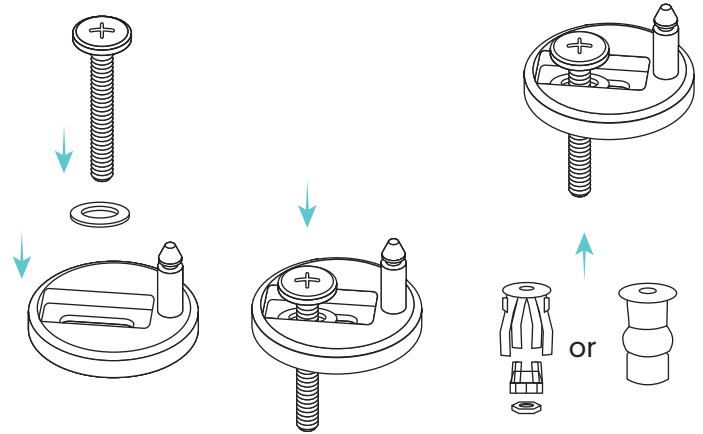
1. Dissassemble

- Disassemble the cover cap and the hinge.



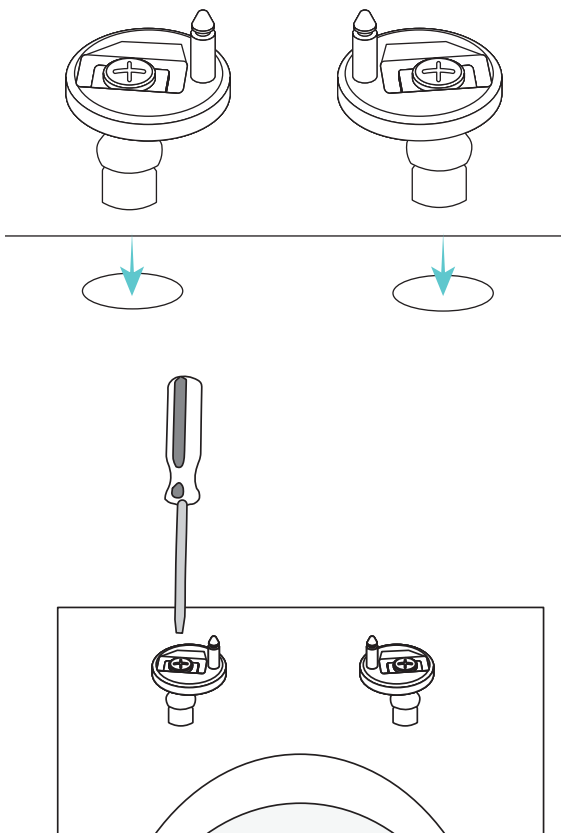
2. Construct Hinges

- Insert screw and nut into the hole on the hinge.
- Attach blind hole screw fixing to the bottom of screw.



3. Attach Hinges

- Insert hinges with blind hole screw fixings attached into holes on toilet bowl.
- Lightly tighten hinges with a screwdriver to allow for later adjustment.

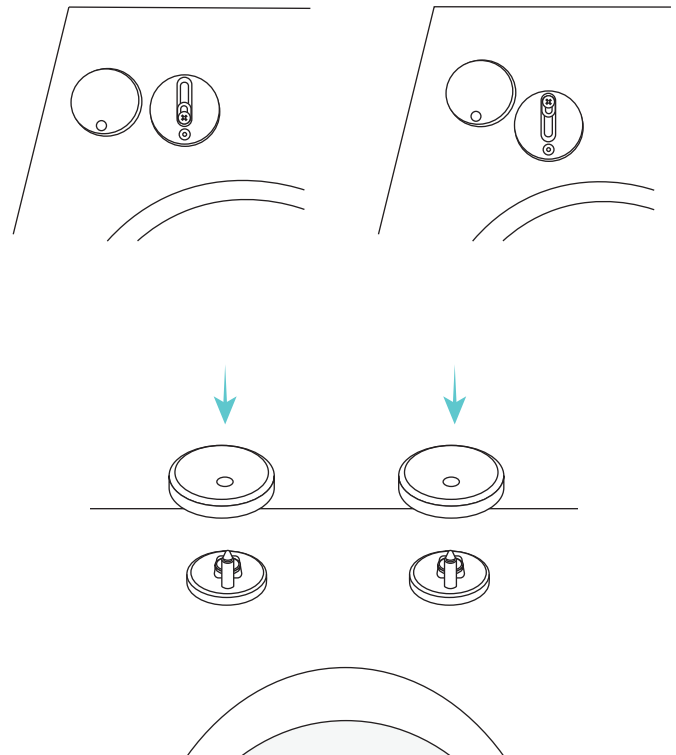


4. Adjust and Cover Hinges

- Be sure the hinge is all the way forward for proper seat fitting.
- Place the covers onto the hinges.

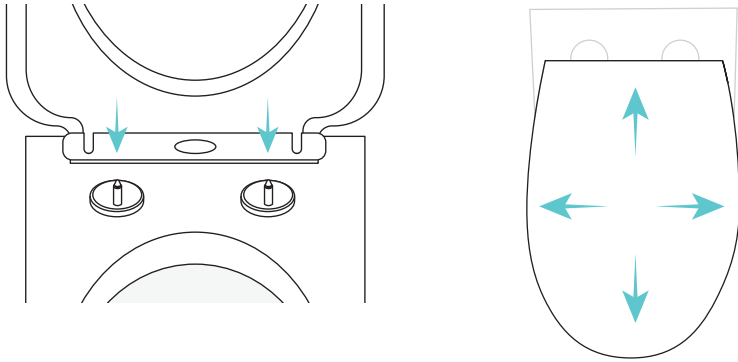
Incorrect:

Correct:



5. Adjust and Attach Seat

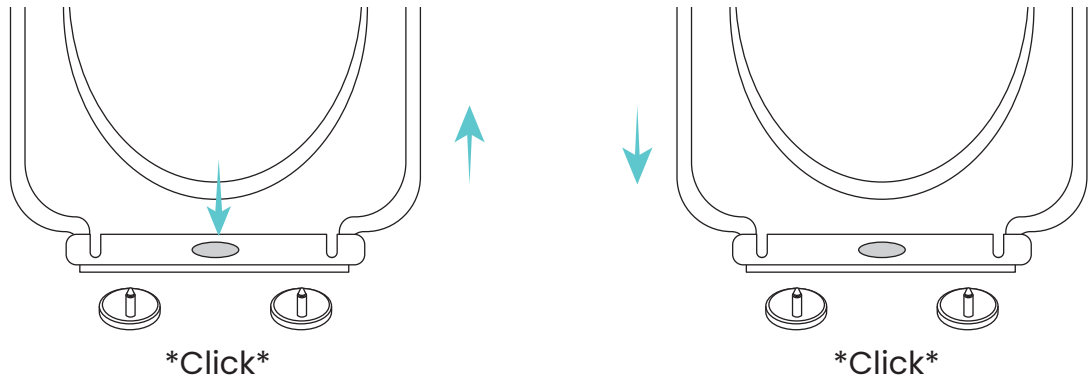
- Align seat to the hinges then firmly tighten the hinges.
- Attach seat to the secure hinges.
- Adjust seat to align to the bowl.



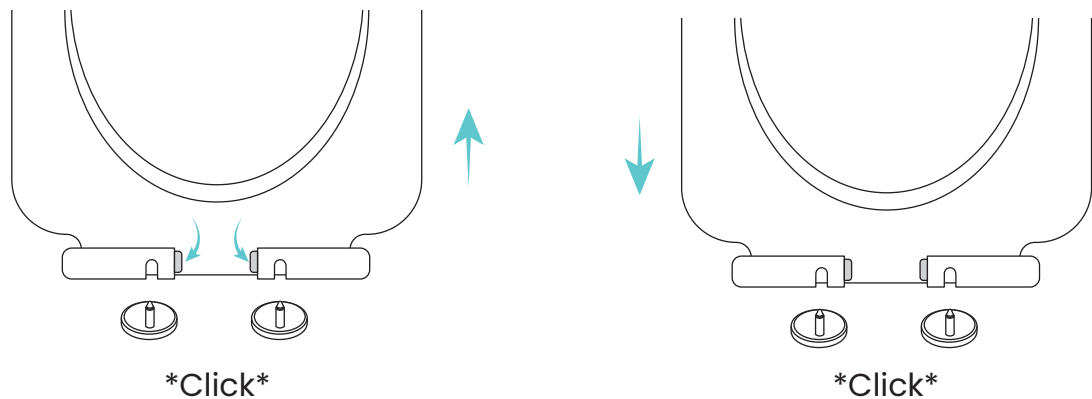
TOILET SEAT USAGE

- To remove, push middle button until you hear a “click”, then pull straight up.
- To re-install, align hinge posts with reference marks on seat, then push down until your hear a “click”.

One Button:

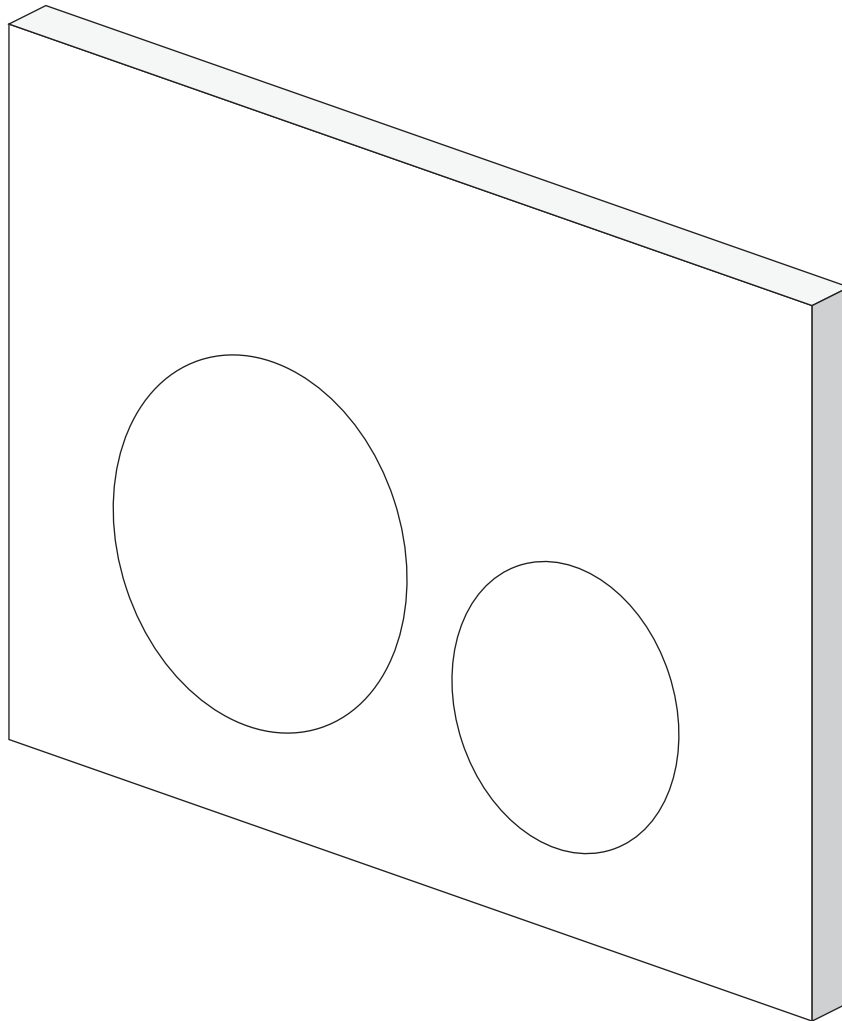


Two Button:



Wall-Mount Actuator Flush Plate INSTALLATION INSTRUCTIONS

Swiss Madison[®]
well made forever



@SwissMadison
#WellMadeForever





PRIOR TO INSTALLATION:

- Inspect product to ensure no damages have occurred while in shipping.
- Observe all plumbing and building codes in accordance with your state and local requirements.
- The step-by-step guidelines in the installation instructions are a general reference. Should there be any discrepancies, Swiss Madison cannot be held liable. It is recommended to install all Swiss Madison products by hiring a licensed professional.
- Read installation and maintenance instructions thoroughly before installing. Be sure to use proper tools and always wear proper personal safety accessories for your protection.
- Make sure all wood studs and supports are properly installed.
- Confirm that your model will fit in intended location and plumbing fixtures are located where legally required before beginning installation.
- Verify all the necessary plumbing is installed by a certified plumber.
- This flush plate must be used with the back plate provided as a whole set.

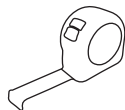
If you have any questions or concerns please contact us:

1-434-623-4766
info@swissmadison.com

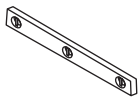
SUGGESTED TOOLS & MATERIALS:



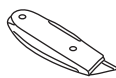
Safety Glasses



Tape Measure

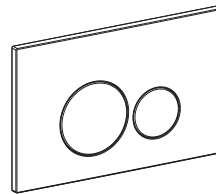


Level



Utility Knife

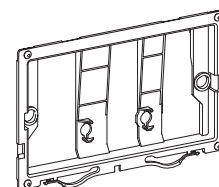
INCLUDED PARTS:



Flush Plate

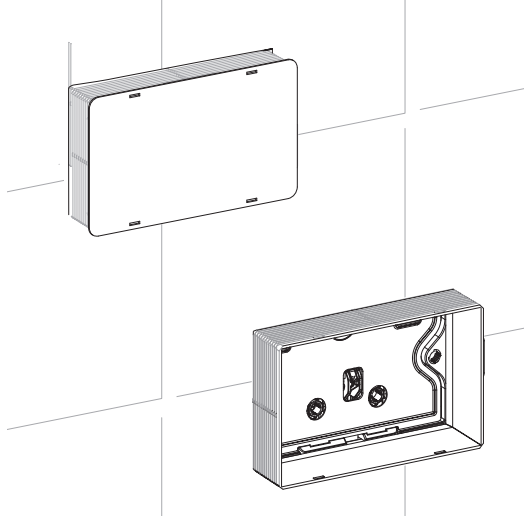


Installation Bolts

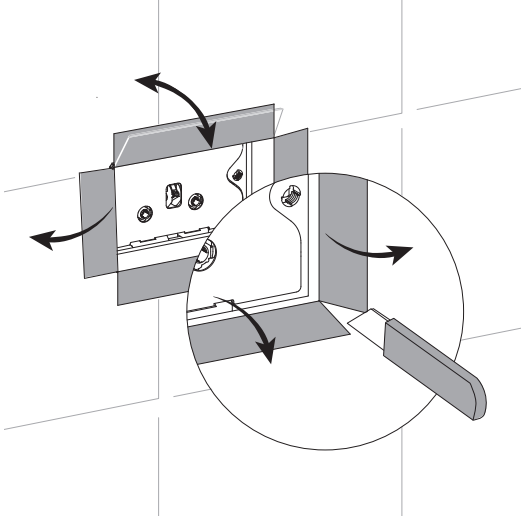


Back Plate

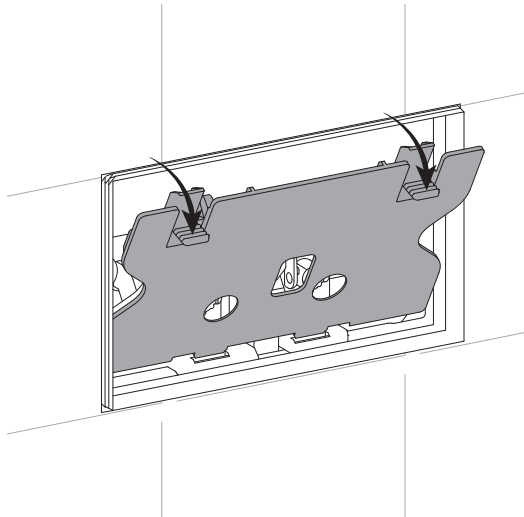
1.



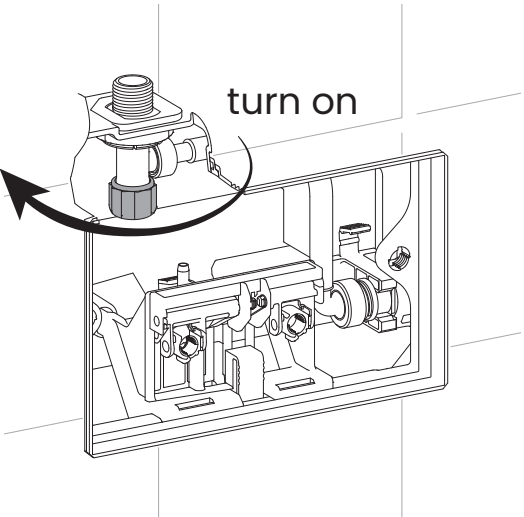
2.



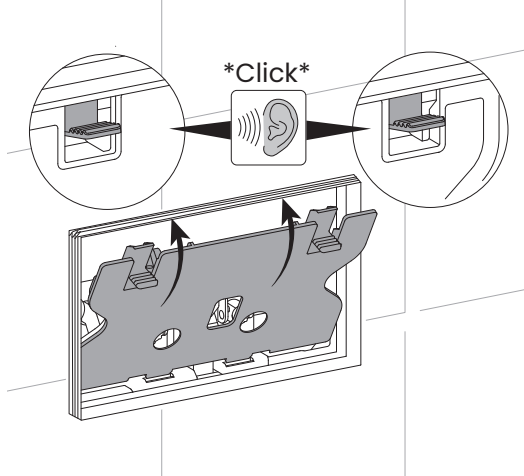
3.



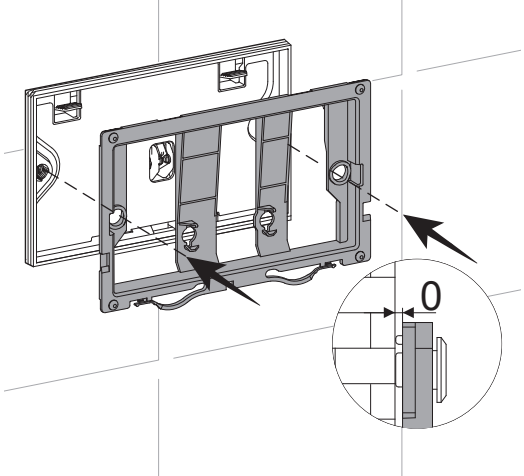
4.



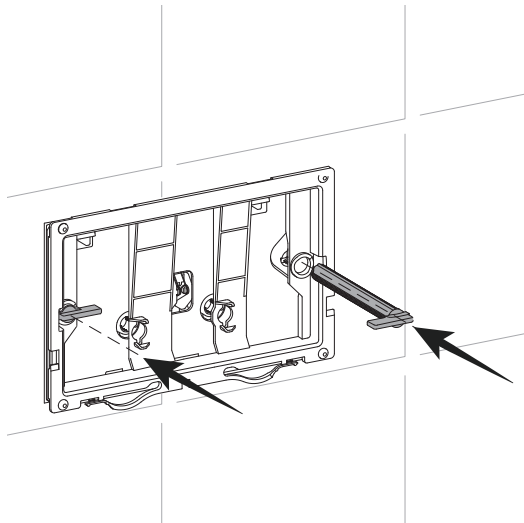
5.



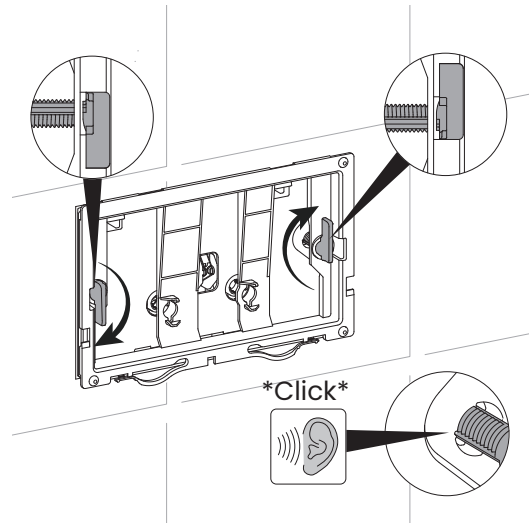
6.



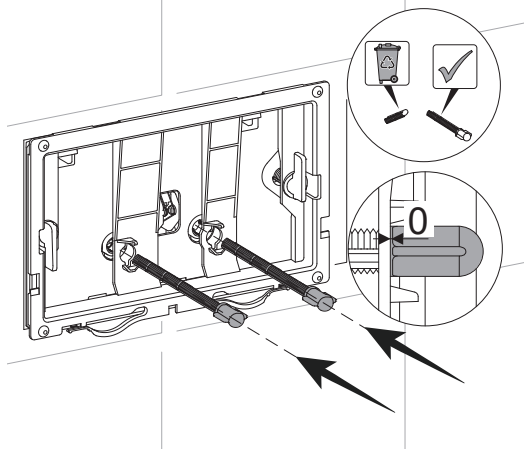
7.



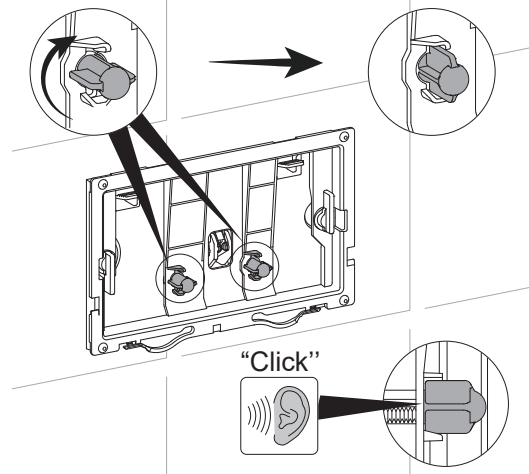
8.



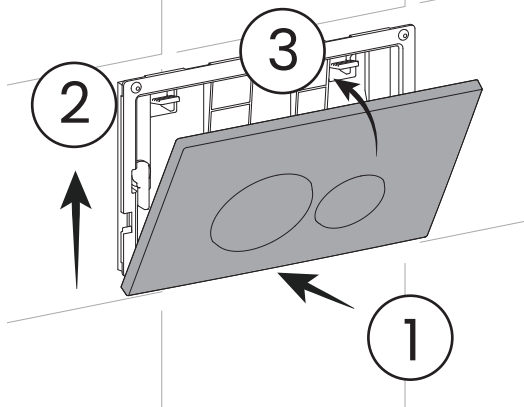
9.



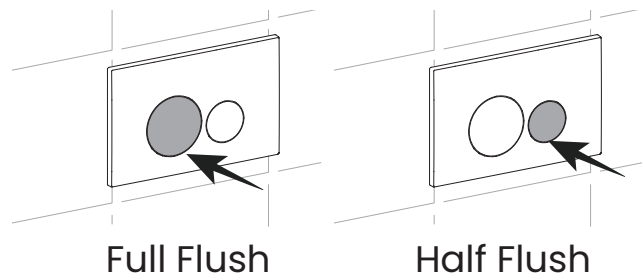
10.



11.



12.



ONE YEAR LIMITED WARRANTY

Swiss Madison® products are made with quality materials and excellent craftsmanship to provide our customers with beautiful, durable, long-lasting products. Should there be any defects in materials or craftsmanship under regular use that are discovered within the first year of installation, Swiss Madison® will provide replacement parts at no charge, or at its discretion, replace any product or part of the product that is deemed defective, under normal installation, use, service or maintenance. This warranty applies only to the original purchaser. Proof of purchase will be required in the instance of a claim.

Swiss Madison® recommends all installations of Swiss Madison® products to be conducted by a licensed, professional plumber or contractor. Swiss Madison® will not be held responsible for any damage or product failure due to improper installation, misuse, or failure to utilize a licensed professional for installation. Swiss Madison® is not responsible for any installation or removal costs.

This One Year Limited Warranty Will Be Voided If:


- The installation recommendations were not followed by the installer
- The product has been moved from its initial place of installation
- The product has in any way been modified from its packaged state
- The product has been subjected to improper maintenance, abuse, misuse, excessive use of chemicals, accidents, or other damages, etc.

Swiss Madison® makes no implication that its products comply with any local building or plumbing codes. It is the consumer's responsibility and obligation to determine local code compliance prior to and during installation. This warranty extends only to the original purchaser and first consumer.

Swiss Madison® is not responsible for any special, incidental or consequential damages associated with the installation, replacement, return or use of the original purchaser's product. This includes, but is not limited to: freight costs, labor, travel time, lost profit, home damages and other contingent liabilities and costs (including, without limitation, costs associated with 'professionals' or 'experts', investigations, audits, analyses, attorneys and any other professional/hired services).

The Swiss Madison® warranty is a comprehensive and explicit limit of liability. All items not disclosed within the warranty are not addressable within the responsibility of Swiss Madison®. Certain states have variances regarding implied warranties; in those situations, we remain fully compliant.

**If you have any questions or concerns, please contact us directly at
1-434-MADISON (623-4766)**

 **WARNING:** Contents of your order may contain sharp and possibly other harmful pieces and may cause hazard to children and adults. Swiss Madison® is not responsible in any way for personal damages.